

ITEM

**3455IX45S9**

**BIBOX SIF DOPPIO ESTRAIBILE IX**

Product Type

Domestic appliances traps and accessories

In-wall washing machine traps



Logistic Info

**Pcs per Carton: 24**

**Qty per Pallet:**

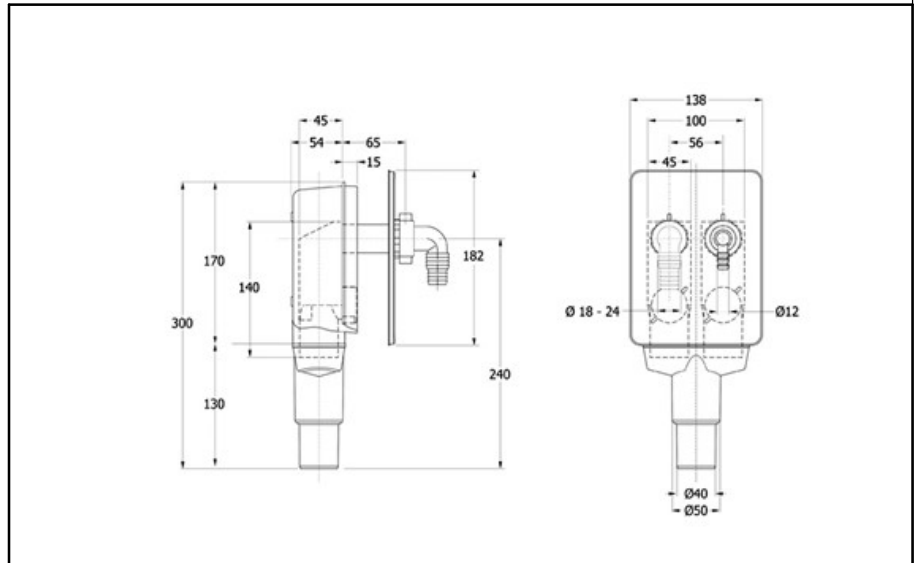
**Unit weight: 0,80500**

**Flow rate Lt/m.:**

ORIGINE: MADE IN ITALY

Cod.EAN13: 8030575059884

Tarif Code :39229000



Tecnichal Details

**Model:** BIBOX

**Product:** in-wall double trap for home appliances water discharge

**Spec 1:** Featuring 2 washing-machine/dishwasher outlets and 1 clothes-dryer outlet, singular extractable traps, Stainless steel cover

**Spec 2:** Outlet  $\varnothing$  40/50 mm

**Material 1:** PP

**Material 2:** INOX

**Color 1:** GREY

**Color 2:** METAL

Approvals