

ITEM

3455AB45S9

BIBOX SIF DOPPIO ESTRAIB.ABS

Product Type

Domestic appliances traps and accessories

In-wall washing machine traps

Logistic Info

Pcs per Carton: 24

Qty per Pallet:

Unit weight: 0,70900

Flow rate Lt/m.:

ORIGINE: MADE IN ITALY

Cod.EAN13: 8030575060637

Tarif Code :39229000

Tecnichal Details

Model: BIBOX

Product: in-wall double trap for home appliances water discharge

Spec 1: Featuring 2 washing-machine/dishwasher outlets and 1 clothes-dryer outlet, singular extractable traps, ABS white cover

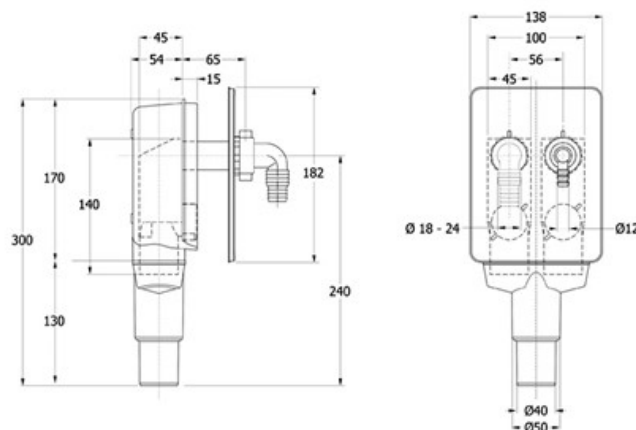
Spec 2: Outlet \varnothing 40/50 mm

Material 1: PP

Material 2: ABS

Color 1: GREY

Color 2: WHITE



Approvals