

ITEM

**1829PR40B0**

**PROLUNGA FLANGIA 1"1/2X40X200**

Product Type

Traps and basket wastes for kitchen sinks

Kitchen sink traps accessories



Logistic Info

**Pcs per Carton:**

**Qty per Pallet:** 5

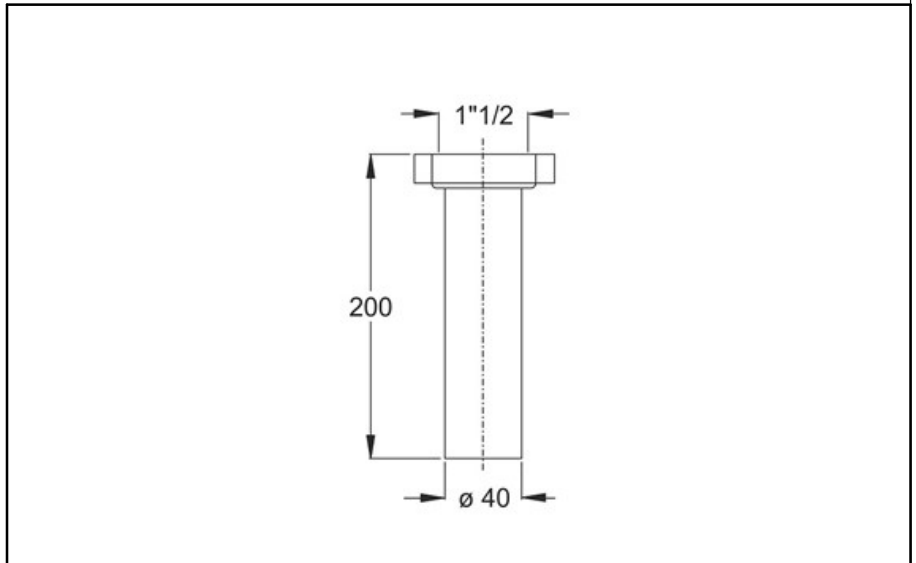
**Unit weight:** 0,05800

**Flow rate Lt/m.:**

ORIGINE: MADE IN ITALY

Cod.EAN13: 8030575003016

Tarif Code :39229000



Tecnichal Details

**Model:** EXTENSION PIPES

**Product:** Flanged extension

**Spec 1:** Plastic nut, flat washer

**Spec 2:** 1"1/2 - ø 40 x 200 mm

**Material 1:** PP

**Material 2:**

**Color 1:** WHITE

**Color 2:**

Approvals