

ITEM

1829PR32B0

PROLUNGA FLANGIA 1"1/4X32X200

Product Type

Traps and basket wastes for kitchen sinks

Kitchen sink traps accessories



Logistic Info

Pcs per Carton:

Qty per Pallet: 5

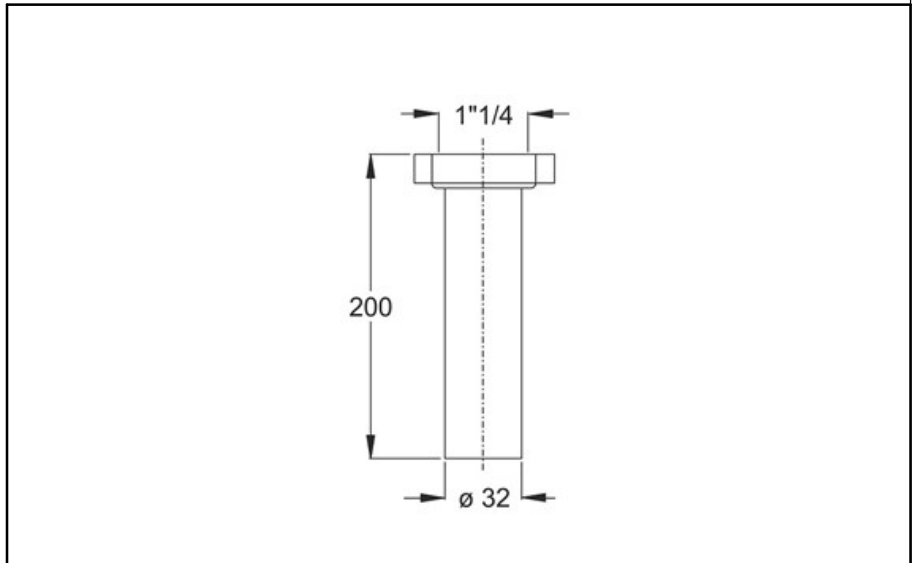
Unit weight: 0,04800

Flow rate Lt/m.:

ORIGINE: MADE IN ITALY

Cod.EAN13: 8030575003009

Tarif Code :39229000



Tecnichal Details

Model: EXTENSION PIPES

Product: Flanged extension

Spec 1: Plastic nut, flat washer

Spec 2: 1"1/4 - ø 32 x 200 mm

Material 1: PP

Material 2:

Color 1: WHITE

Color 2:

Approvals