

ITEM

1820NN64B0

PROLUNGA UNI FEMM 1"1/2X40X230

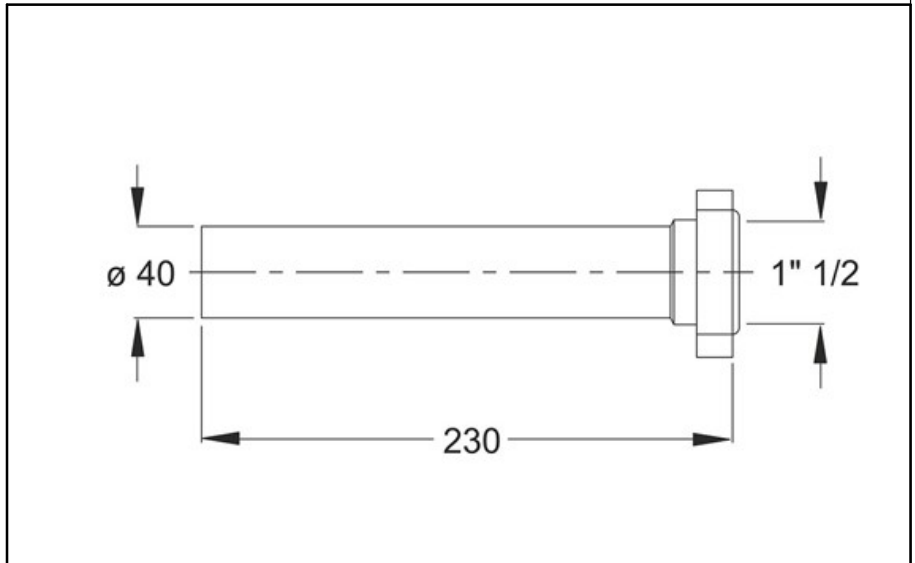
Product Type



Logistic Info

Pcs per Carton: 50
Qty per Pallet: 50
Unit weight: 0,07600
Flow rate Lt/m.:

ORIGINE: MADE IN ITALY
Cod.EAN13: 8030575013350
Tarif Code :39229000



Tecnichal Details

Model: EXTENSION PIPES
Product: Female connection extension
Spec 1: Female connection, conical washer
Spec 2: 1"1/2 x 40 x 230 mm
Material 1: PP
Material 2:
Color 1: WHITE
Color 2:

Approvals