

ITEM

1550CP40B0

SPC 1V AUTOP. AT/LV SCØ40X300

Product Type

Traps and basket wastes for kitchen sinks

Kitchen sink space-saving traps



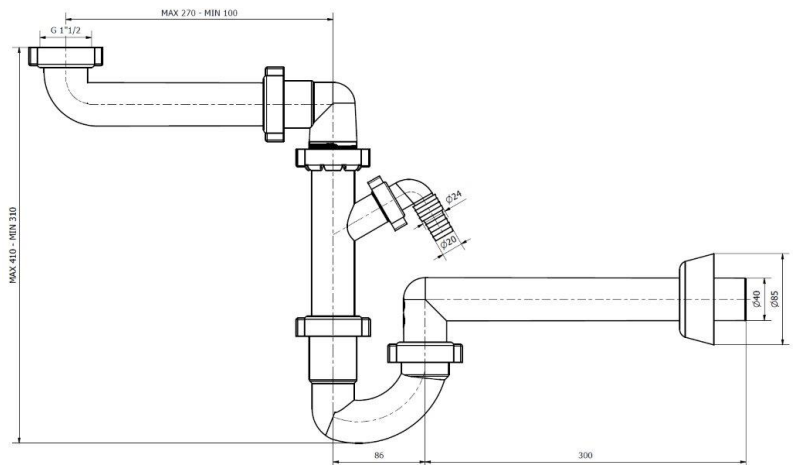
Logistic Info

Pcs per Carton: 25
Qty per Pallet: 25
Unit weight: 0,38000
Flow rate Lt/m.:

ORIGINE: MADE IN ITALY
Cod.EAN13: 8030575061870
Tarif Code :39229000

Tecnichal Details

Model: SPACE
Product: Space saver traps for single waste kitchen sinks
Spec 1: Single inlet, with water discharge connection
Spec 2: 1"1/2 x ø 40 mm
Material 1: PP
Material 2:
Color 1: WHITE
Color 2:



Approvals