

ITEM

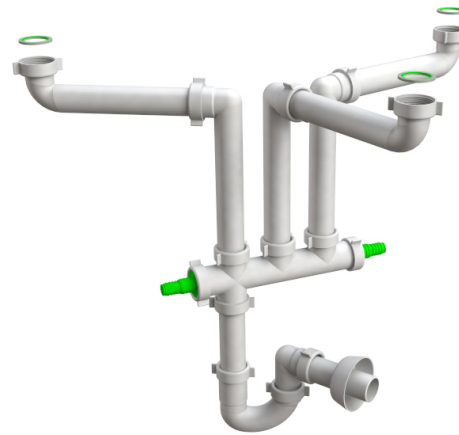
1530CP40B0

SPACE 3 - 1"1/2X40 - 3 VIE

Product Type

Traps and basket wastes for kitchen sinks

Kitchen sink space-saving traps



Logistic Info

Pcs per Carton: 15
Qty per Pallet: 15
Unit weight: 0,79114
Flow rate Lt/m.:

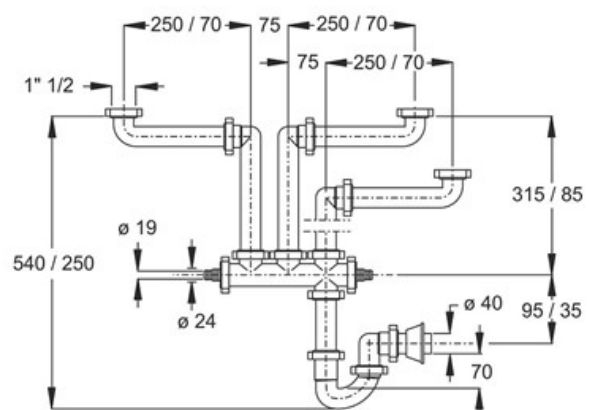
ORIGINE: MADE IN ITALY

Cod.EAN13: 8030575012742

Tarif Code :39229000

Tecnichal Details

Model: SPACE
Product: Space saver traps for triple waste kitchen sinks
Spec 1: Triple inlet, 2 waste water connectors
Spec 2: 1"1/2 x ø 40 mm
Material 1: PP
Material 2:
Color 1: WHITE
Color 2:



Approvals