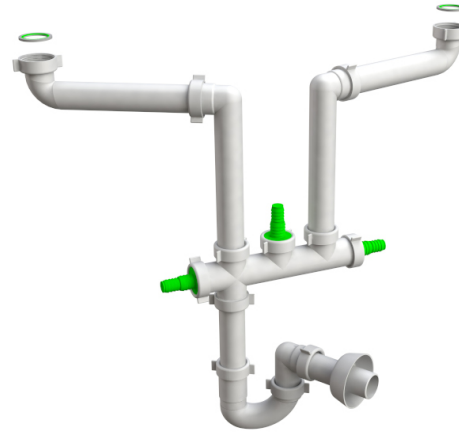


ITEM

1520CP40B0

SPACE 2 - 1"1/2X40 - 2 VIE

Product Type



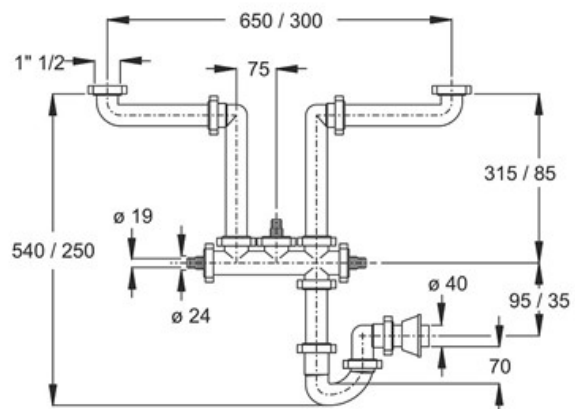
Logistic Info

Pcs per Carton: 20
Qty per Pallet: 20
Unit weight: 0,64000
Flow rate Lt/m.:

ORIGINE: MADE IN ITALY
Cod.EAN13: 8030575012667
Tarif Code :39229000

Tecnichal Details

Model: SPACE
Product: Space saver traps for double waste kitchen sinks
Spec 1: double inlet, 3 waste water connectors
Spec 2: 1"1/2 x \varnothing 40 mm
Material 1: PP
Material 2:
Color 1: WHITE
Color 2: GREEN



Approvals