

ITEM

0597WH24S0

TRISTAR MAN.ZAMAK BIANCO

Product Type

Angle valves

Design angle-valves



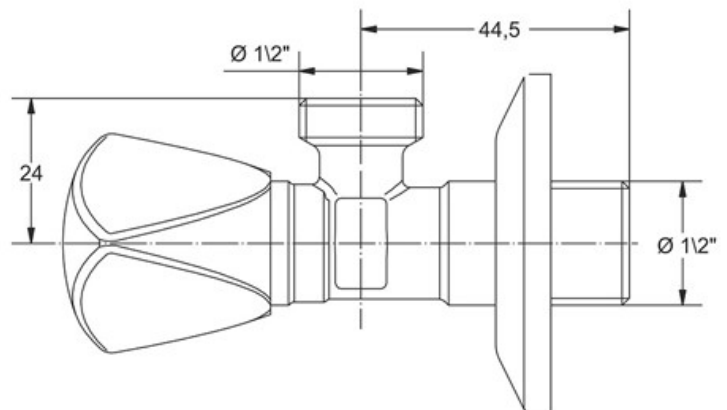
Logistic Info

Pcs per Carton: 80
Qty per Pallet: 80
Unit weight: 0,20500
Flow rate Lt/m.:

ORIGINE: MADE IN ITALY

Cod.EAN13: 8030575060668

Tarif Code :84818019



Tecnichal Details

Model: TRISTAR
Product: angle valve with 3 edges handle
Spec 1: 3 pieces screw type mechanism, Zamak handle
Spec 2: 1/2 x 1/2
Material 1: BRASS
Material 2: ZAMAK
Color 1: MATT WHITE
Color 2:

Approvals