

ITEM

**0597BL24S9**

**TRISTAR MAN.ZAMAK NERO**

Product Type

Angle valves

Design angle-valves



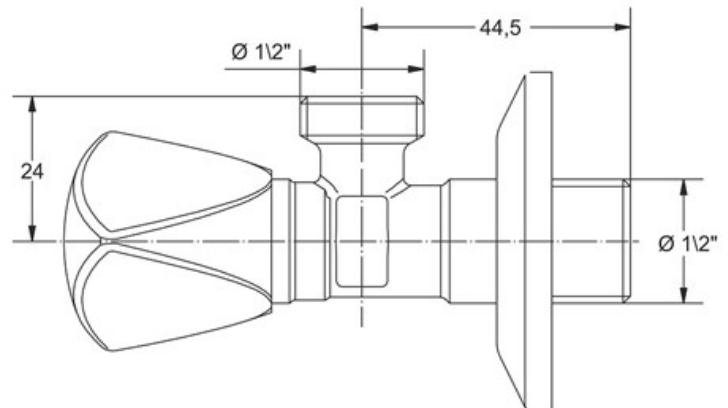
Logistic Info

**Pcs per Carton:** 80  
**Qty per Pallet:** 80  
**Unit weight:** 0,20500  
**Flow rate Lt/m.:**

ORIGINE: MADE IN ITALY

Cod.EAN13: 8030575060651

Tarif Code :84818019



Tecnichal Details

**Model:** TRISTAR  
**Product:** angle valve with 3 edges handle  
**Spec 1:** 3 pieces screw type mechanism, Zamak handle  
**Spec 2:** 1/2 x 1/2  
**Material 1:** BRASS  
**Material 2:** ZAMAK  
**Color 1:** MATT BLACK  
**Color 2:**

Approvals