

ITEM

0570EC23K7

THERMOTRAP SIFONE ABS 1"/4X40

Product Type

Traps and wastes for washbasin/bidet

ABS chrome-plated traps

Logistic Info

Pcs per Carton: 25
Qty per Pallet: 25
Unit weight: 0,36500
Flow rate Lt/m.: 45,00

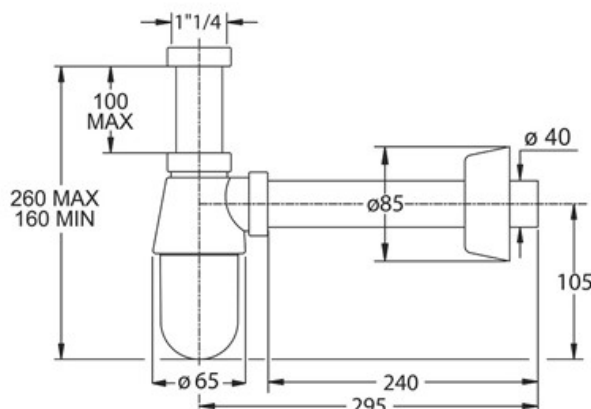
ORIGINE: MADE IN CINA

Cod.EAN13: 8030575040523

Tarif Code :39229000

Tecnichal Details

Model: THERMOTRAP
Product: bottle trap for washbasin
Spec 1: With cleanable cartridge
Spec 2: 1"1/4 x ø 40x250 mm
Material 1: ABS
Material 2: BRASS
Color 1: CHROMED PLATED
Color 2:



Approvals