

ITEM

0570BR25K7

BOTTLE SIFONE OTTONE 1"1/4X32

Product Type

Traps and wastes for washbasin/bidet

Brass and stainless-steel traps

Logistic Info

Pcs per Carton: 20
Qty per Pallet:
Unit weight: 0,51800
Flow rate Lt/m.: 45,00

ORIGINE: MADE IN CINA

Cod.EAN13: 8030575059860

Tarif Code :73249000

Tecnichal Details

Model: UNICUM BOTTIGLIA

Product: bottle trap for washbasin

Spec 1: Brass body, stainless steel pipes and nuts. BI-POWER washers

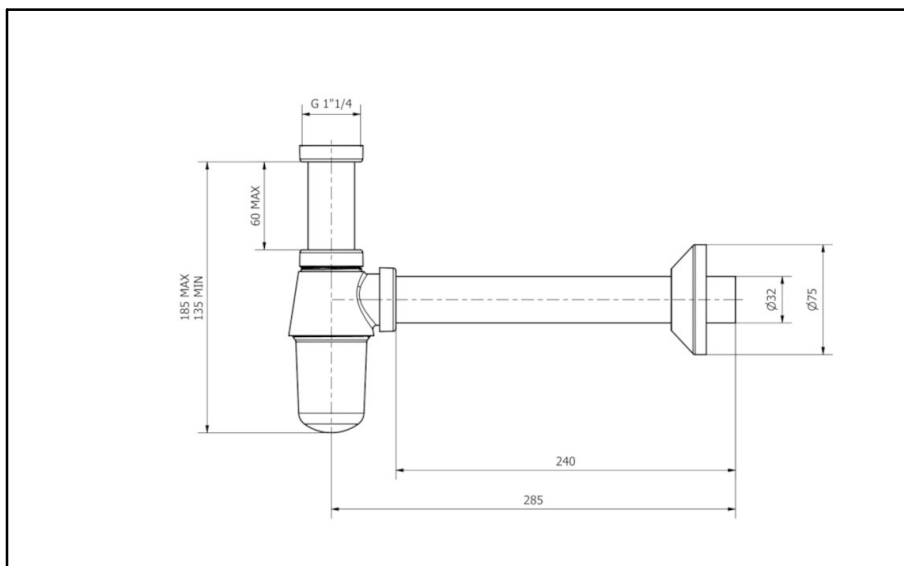
Spec 2: 1"1/4 x ø 32x250 mm

Material 1: BRASS

Material 2: INOX 201

Color 1: CHROMED

Color 2:



Approvals