

ITEM

0515FL24B7

GREENSTAR "1/2 X "1/2

Product Type

Angle valves

Angle valves with filter

Logistic Info

Pcs per Carton: 150
Qty per Pallet: 150
Unit weight: 0,10620
Flow rate Lt/m.:

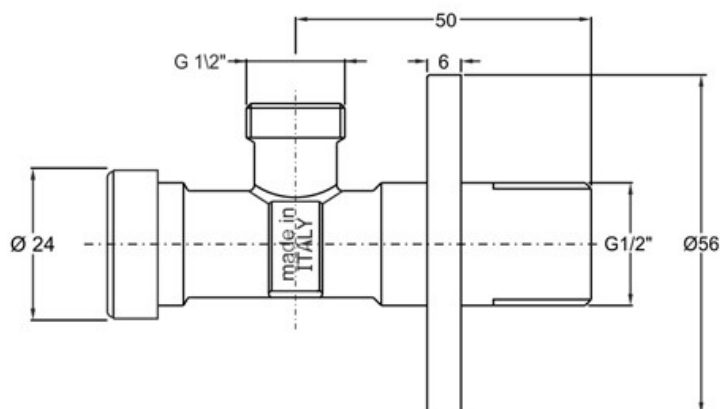
ORIGINE: MADE IN ITALY

Cod.EAN13: 8030575059587

Tarif Code :84818019

Tecnichal Details

Model: GREENSTAR
Product: angle valve with filter
Spec 1: With POM anti-return valve
Spec 2: 1/2 x 1/2
Material 1: BRASS
Material 2: POM and ABS
Color 1: CHROMED
Color 2:



Approvals