

ITEM

05000T27S7

PULSAR "1/2 X "3/4

Product Type

Angle valves

Click-clack angle valves

Logistic Info

Pcs per Carton: 80
Qty per Pallet: 80
Unit weight: 0,16400
Flow rate Lt/m.:

ORIGINE: MADE IN ITALY

Cod.EAN13: 8030575059068

Tarif Code :84818019

Tecnichal Details

Model: PULSAR

Product: The only click-clack angle valve

Spec 1: Its POM and stainless steel mechanism avoid lime deposits.

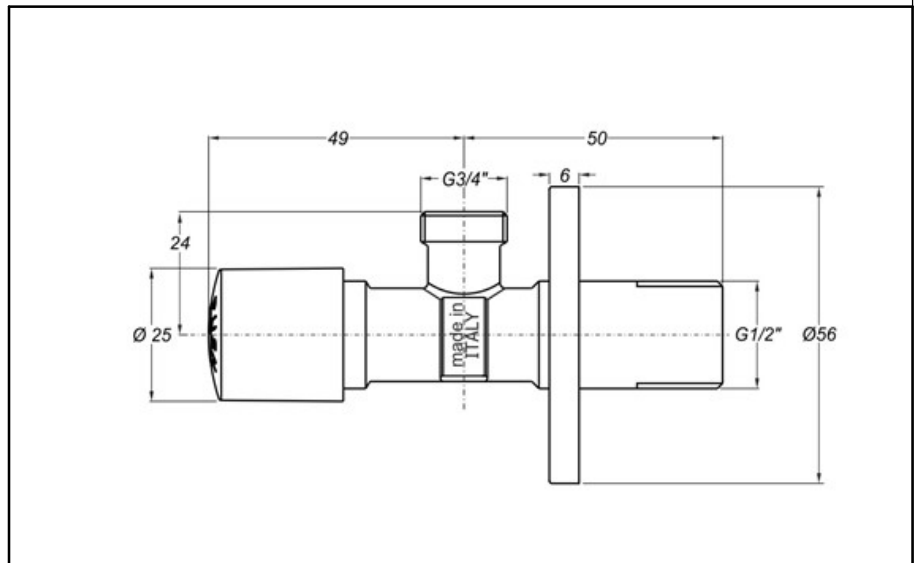
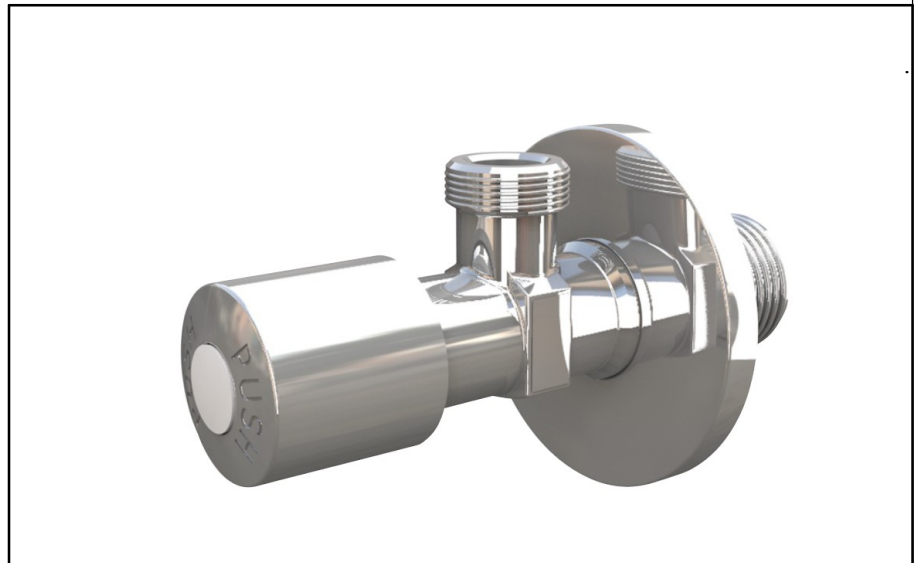
Spec 2: 1/2 x 3/4

Material 1: BRASS

Material 2: POM and ABS

Color 1: CHROMED PLATED

Color 2:



Approvals