

ITEM

**05000T24S7**

**PULSAR "1/2 X "1/2**

Product Type

Angle valves

Click-clack angle valves

Logistic Info

**Pcs per Carton:** 80  
**Qty per Pallet:** 80  
**Unit weight:** 0,13300  
**Flow rate Lt/m.:**

ORIGINE: MADE IN ITALY

Cod.EAN13: 8030575054155

Tarif Code :84818019

Tecnichal Details

**Model:** PULSAR

**Product:** The only click-clack angle valve

**Spec 1:** Its POM and stainless steel mechanism avoid lime deposits.

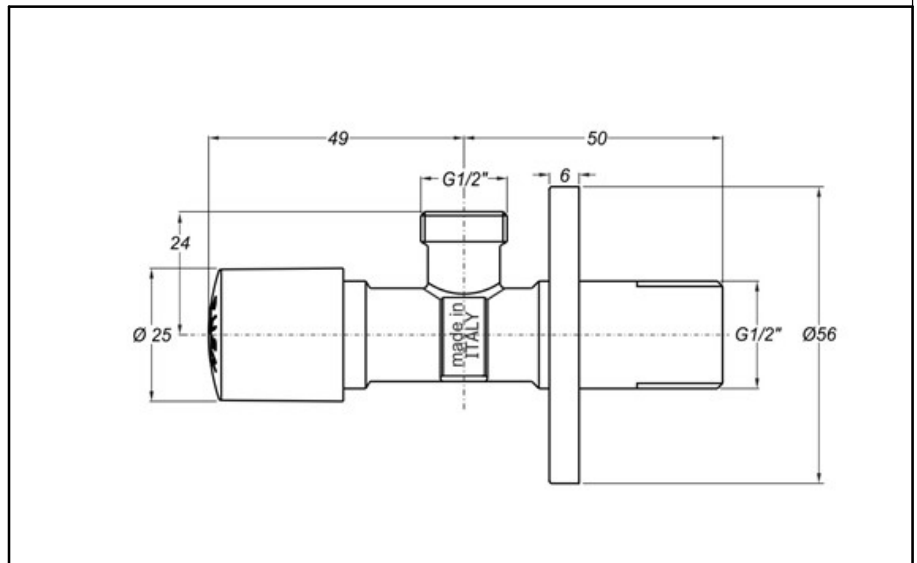
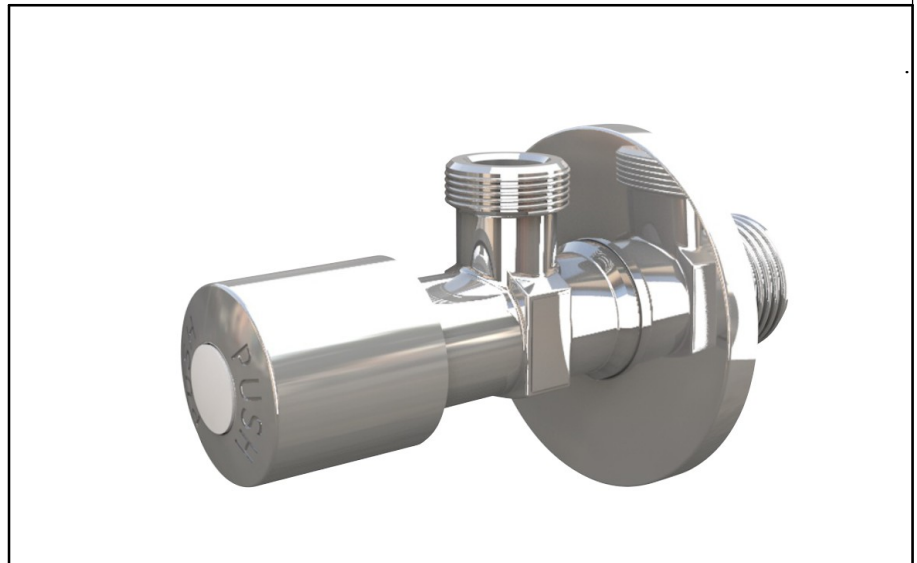
**Spec 2:** 1/2 x 1/2

**Material 1:** BRASS

**Material 2:** POM and ABS

**Color 1:** CHROMED PLATED

**Color 2:**



Approvals