

ITEM

0460BR25K7

KAPPA SIFONE OTTONE 1" X 26

Product Type

Traps and wastes for washbasin/bidet

Brass and stainless-steel traps



Logistic Info

Pcs per Carton: 20

Qty per Pallet:

Unit weight: 0,44300

Flow rate Lt/m.:

ORIGINE: MADE IN CINA

Cod.EAN13: 8030575059730

Tarif Code :73249000

Tecnichal Details

Model: UNICUM KAPPA

Product: cleanable trap for washbasin and bidet

Spec 1: Brass body, stainless steel pipes and nuts. BI-POWER washers

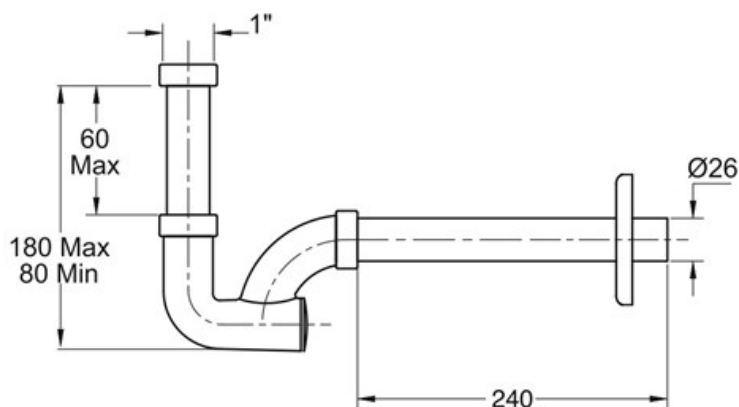
Spec 2: 1"x ø 26x250 mm

Material 1: BRASS

Material 2: INOX 201

Color 1: CHROMED

Color 2:



Approvals